



# ASTRO-H

## **INSTRUMENT CALIBRATION REPORT SXS GATE VALVE WINDOW TRANSMISSION ASTH-SXS-CALDB-GATEVALVE**

Version 0.1

18 March 2016

**ISAS/ GSFC**

**Prepared by:** Megan Eckart, Maurice Leutenegger, and the SXS Instrument Team

## Table of Contents

Introduction.....	4
1.1 Purpose.....	4
1.2 Scientific Impact.....	4
2 Release CALDB 20160310.....	4
2.1 Data Description.....	4
2.2 Data Analysis.....	8
2.3 Results.....	10
2.4 Final Remarks.....	10
3 References.....	11

**CHANGE RECORD PAGE (1 of 1)**

DOCUMENT TITLE: SXS Gate Valve Window Transmission			
ISSUE	DATE	PAGES AFFECTED	DESCRIPTION
Version 0.1	March 2016	All	First Release

## Introduction

### 1.1 Purpose

During early Astro-H commissioning observations the SXS dewar gate valve (GV) will remain closed to protect the instrument from initial spacecraft outgassing. As a result, the optical path of early observations will include the beryllium window installed on the GV. This 300 micron-thick window absorbs a large fraction of the x-ray photons at energies below 2 keV. In addition, associated metal support structures attenuate approximately half of the x-ray flux across the science bandpass.

This document describes the transmission of the beryllium window and associated protective metal mesh. We describe the window geometry, materials, and calculation of the resulting x-ray transmission as a function of energy. The GV also includes a cross structure that attenuates a significant fraction of incident photons. To calculate the obscuration by the cross requires ray tracing; it is therefore not discussed in this document and instead is described in ASTH-SXS-CALDB-RAYTRACE by T. Yaqoob et al.

### 1.2 Scientific Impact

For observations that take place during the gate-valve-closed phase the gate valve CALDB file is used in the Ancillary Response Function (ARF) calculation for spectral analysis and in the flat field for imaging analysis.

## 2 Release CALDB 20160310

Filename	Valid data	Release data	CALDB Vrs	Comments
ah_sxs_gatevalv_20140101v001.fits	2014-01-01	20160310	001	Extension 2 (Extensions 1 & 3 are described elsewhere.)  Original ASCII file for Extension 2: trans_GVBeWithMesh_SXS_v2.0.txt

### 2.1 Data Description

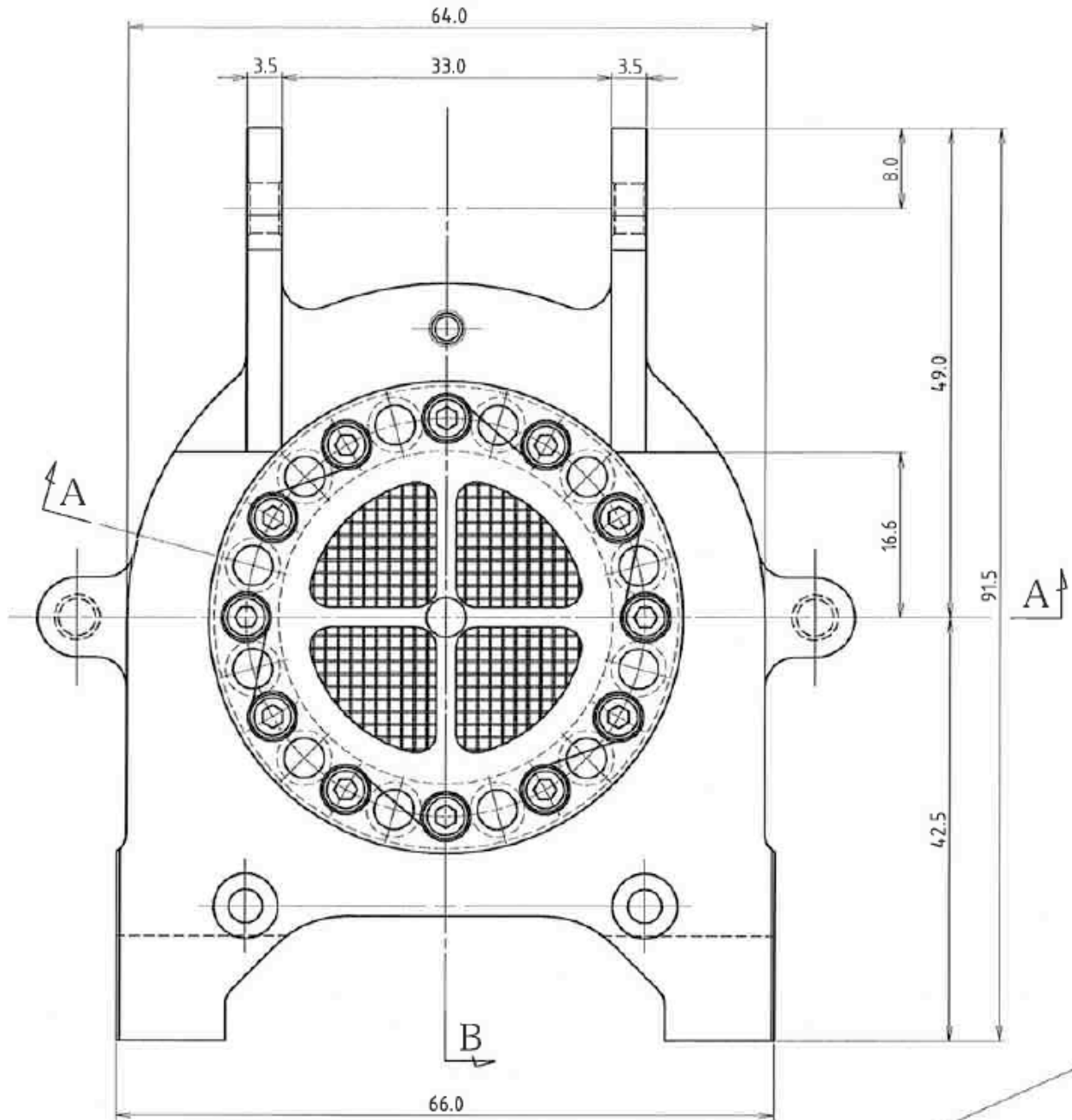
Table 1 summarizes the materials and dimensions of the GV window provided by JAXA and Sumitomo Heavy Industries, and Table 2 provides the position of the GV components with respect to the SXS detector plane. Figures 1–4 present drawings of the GV structures.

Description	Material	Geometry	Thickness	Comments
Be window	Be	uniform	300 $\mu\text{m}$	No x-ray calibration measurements performed.
Protective mesh	stainless steel: SUS304	1/20-inch pitch wire mesh	Wire thickness = 0.20 mm	Mesh opening width is 1.27 mm – 0.20 mm = 1.07 mm Open fraction = 71%
Support cross	aluminum alloy: A6061-T6	cross with 2 mm-wide bars	6 mm thick	Opaque in SXS science waveband. Aligned with SXT quadrant gaps, but blocks approx. 23%.

**Table 1** Summary of gate valve Be window materials and dimensions. These information are documented in the SXS dewar description document, JAXA-XCS-C-001. The Be window is manufactured by Brush Wellman Ltd., which is now a part of Materion Corp.

Feature	Height Above Detector Plane	Offset in S/C X, Y from Detector Center	Comments
Be window	~243.85 mm	n/a	
Protective mesh	247.9 mm	n/a	
Support cross	243.9 mm (bottom of cross) 249.9 mm (top of cross)	-0.051mm, +0.221 mm (same as alignment pole)	These dimensions are input for raytracing code (to generate Ext. 1 & 3 of CALDB file).
GV aperture	216 mm	n/a	
Top of GV alignment pole	255.9 mm	-0.051mm, +0.221 mm	

**Table 2** Positions of relevant GV components with respect to the SXS detector array. The heights are derived from mechanical drawings (see subsequent figures). The offset in X, Y are derived from alignment measurements summarized in document 150227\_alignment\_toNEC.pdf, provide by Yoh Takei (private communication, May 2015).



**Figure 1** Drawing of gate valve window support structure, including stainless-steel cross and mesh. This figure is a portion of SHI drawing KK0391T.

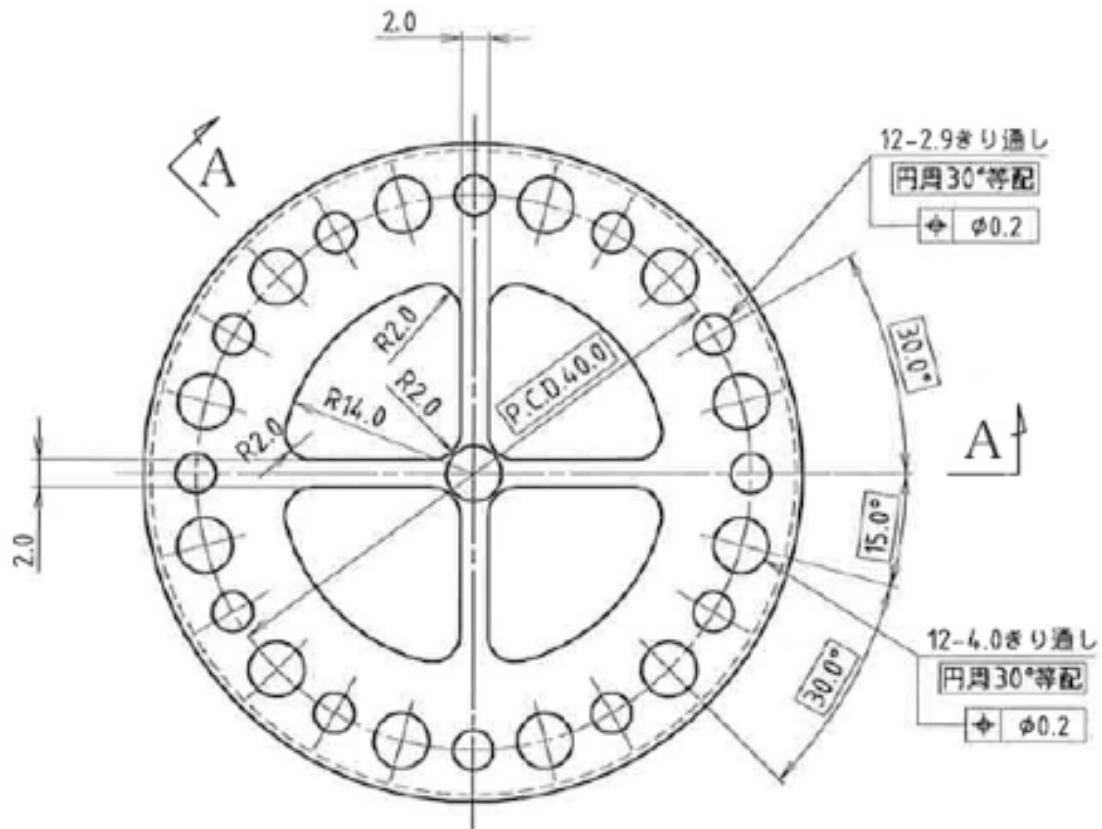


Figure 2 Drawing of gate valve window support cross with dimensions.

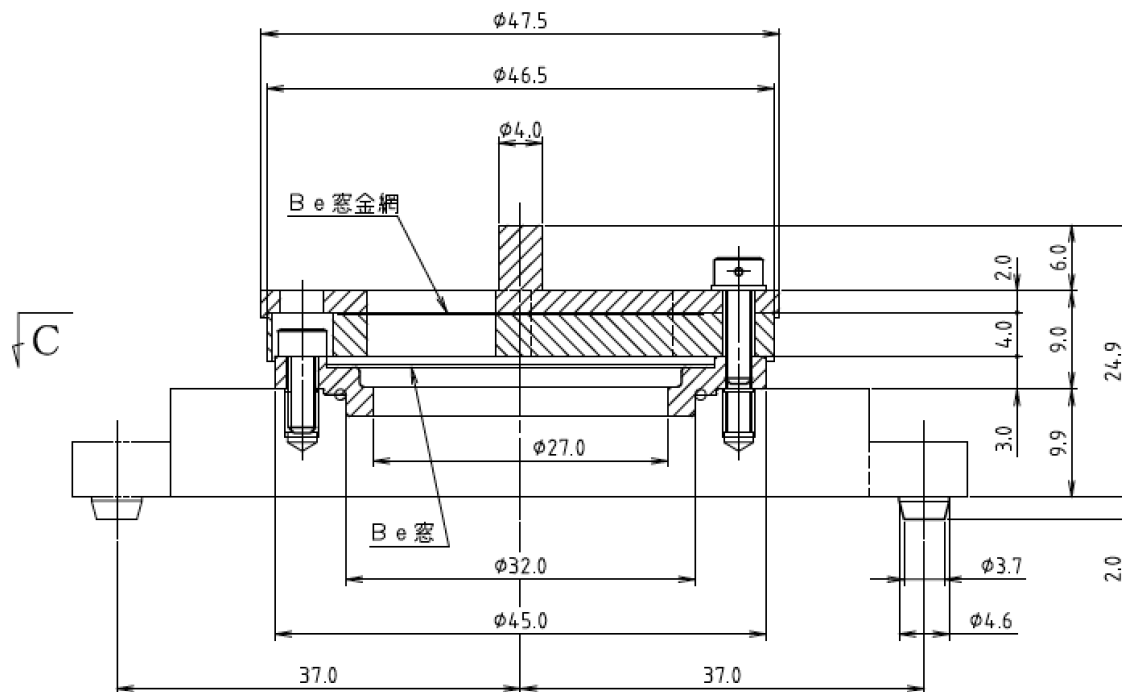
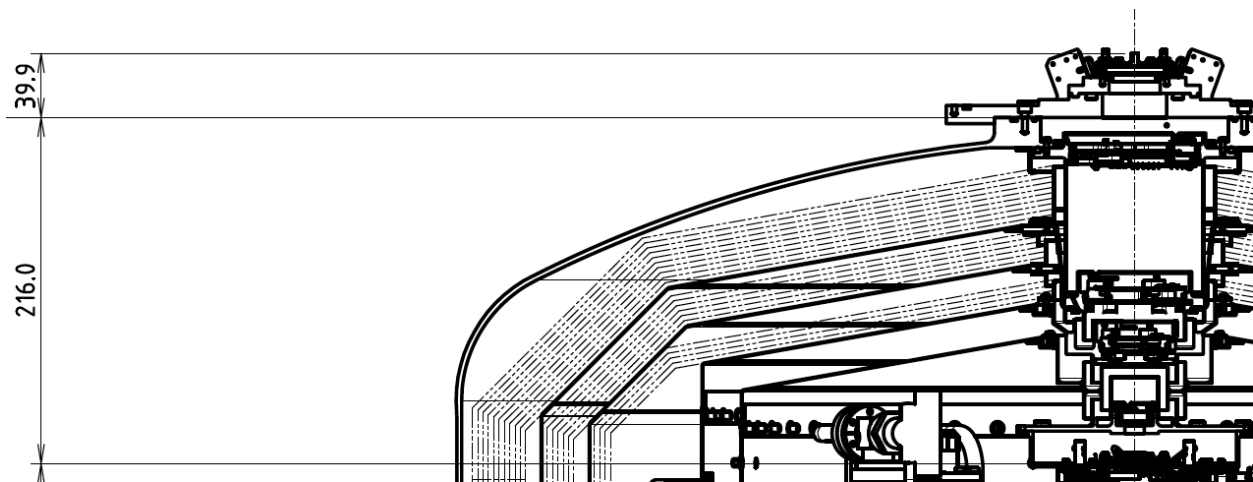


Figure 3 Cross section of gate valve window support structure. This figure is a portion of SHI drawing KK0391T. The Be sits beneath the 6 mm-thick (4 mm + 2 mm) cross structure.



**Figure 4** Cross section of top portion of SXS dewar, showing that the GV aperture is 216 mm above the detector plane and the top of the GV pole is 39.9 mm above the GV aperture. These dimensions may be used to relate the drawing presented in **Figure 3** to the detector plane.

## 2.2 Data Analysis

The transmission given in Extension 2 of the CALDB file is labeled a ‘surface transmission,’ referring to the transmission through the components distributed across the surface of the GV aperture, namely the Be itself and the protective mesh. Given the size of the converging x-ray beam, the mesh geometry, and the size of the SXS detector pixels an average transmission is sufficient and a two-dimensional transmission map is not required. Thus the resulting ‘surface transmission’ is a product of the transmissions of the Be and the stainless steel mesh. In the following pages we describe how we calculate the transmission of each material and how they are combined to produce the final transmission.

### Transmission of the Beryllium Window:

No x-ray calibration measurements were performed on the gate valve beryllium window owing to instrument schedule constraints. We therefore base our transmission estimates on the nominal manufacturer specifications combined with the complementary calibration measurements of the SXS filter wheel (FW) Be filter, which was supplied by the same manufacturer (Brush Wellman / Materion Corp.). Members of the SXS team calibrated FW Be filters ( $\sim 27\mu\text{m}$  thickness) at BESSY. The inferred mass attenuation coefficients were consistent with literature values for Be (Ref. [1]) plus small edges due to Fe impurities. Ref. [2] summarizes the FW filter calibration campaign.

We assume that the GV Be window has a similar level of Fe impurities as the FW Be window, and thus need to include the Fe K-edge at  $\sim 7.1$  keV. To do so we take the following approach: for energies below 14.8 keV we use the mass attenuation coefficients provided by SRON in Be-SN2-1-036.FIT (Ref. [2]), which include the Fe K-edge, while for energies from 14.8–40 keV we use the data from CXRO and our power-law extrapolation as described in the subsequent paragraph.



The Center for X-ray Optics (CXRO) at Lawrence Berkeley National Laboratory provides atomic scattering factor data for Be from 0.01–30 keV (see Ref. [1]). We used these data to calculate the Be photoabsorption cross sections and mass attenuation coefficients from 0.01–30 keV, and interpolated these data to provide a step size of 0.25 eV. The interpolation was linear in  $\mu * E^{2.5}$ , which was found to be well behaved. We fit the L-shell cross-section data from 25–30 keV with a power-law index of -3.33, and used this function to extrapolate the data to 40 keV.

The SRON FW Be measurements run from 400.57 eV to 14809.0 eV in 282 logarithmically spaced steps, but with 2 eV spacing from 7080–7200 eV to describe the Fe K-edge. We use a linear interpolation to bin these data on a 0.25 eV grid. At 400 eV the transmission of 300  $\mu\text{m}$  of Be is  $10^{-19}$ , and thus we set the window transmission to 0 for energies below 400 eV.

We calculate the transmission using the following equation,

$$T(E) = 1 - \exp(-\mu(E) * t) , \quad \text{Eq. (1)}$$

where  $\mu(E)$  is the mass attenuation coefficient as a function of x-ray energy and  $t$  is the nominal Be thickness of 300  $\mu\text{m}$ .

### **Transmission of the Stainless Steel Mesh:**

The chemical composition of SUS304 is ~70% Fe, 18–20% Cr, and ~10 Ni and small fractions of other materials (a combination of Mn, N, Si, C, P, S). For this calculation we assume the mesh is 70% Fe, 20% Cr, and 10% Ni and composed of wires that have a square cross section of 0.2 mm x 0.2 mm.

We obtain the mass attenuation coefficient for Fe, Cr, and Ni from 2–45 keV using the X-ray Form Factor, Attenuation, and Scattering Tables available via the NIST Physical Measurement Laboratory (see References [3]-[5]) and linearly interpolate these data to provide mass attenuation coefficients on a 0.25 eV grid.

We calculate the transmission of the stainless steel bars of the mesh using Eq. (1) and a thickness of 0.2 mm. Note that over the primary SXS science bandpass (0.3–12 keV) the mesh wires are opaque.

### **Combining transmissions to calculate the total ‘surface transmission’:**

The total ‘surface transmission’ is given by:

$$T_{total}(E) = T_{Be}(E) * (1 - f_{mesh}) + T_{Be}(E) * T_{mesh}(E) * f_{mesh} , \quad \text{Eq. (2)}$$

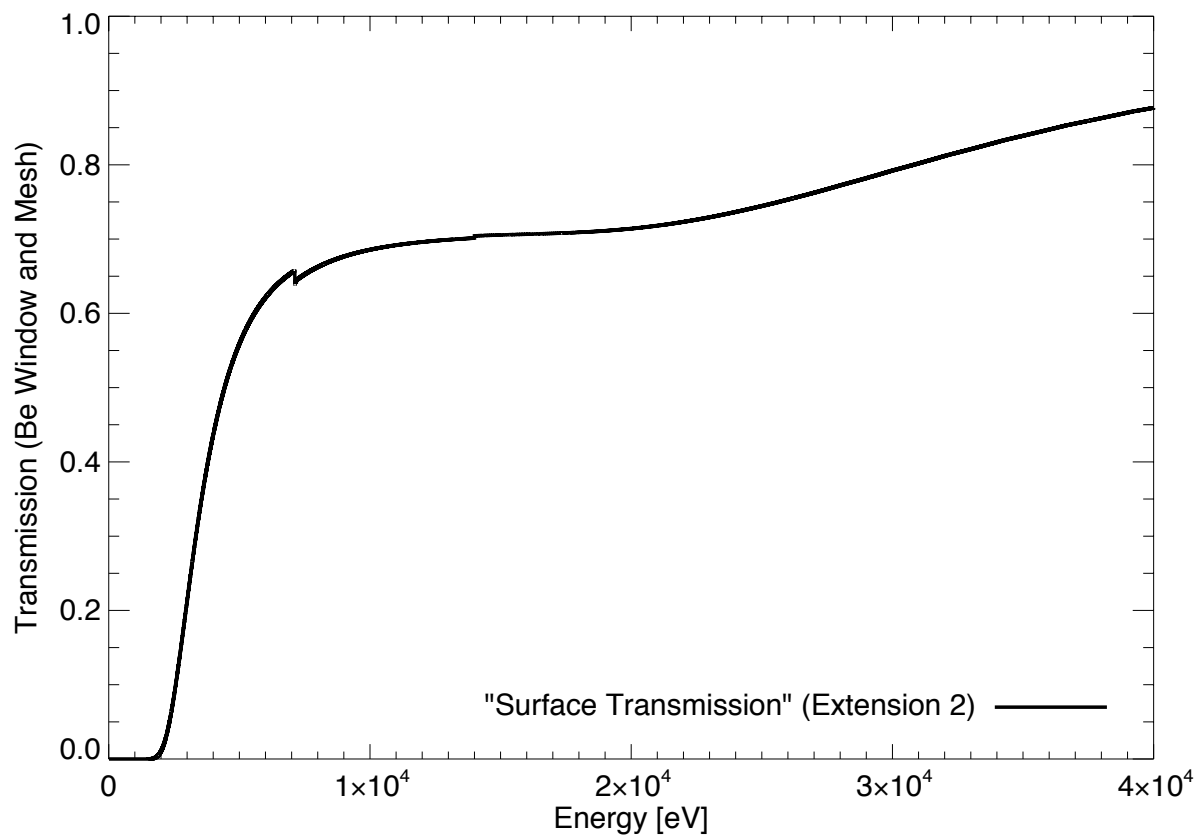
where  $T_{Be}$  is the Be transmission,  $T_{mesh}$  is the stainless steel bar transmission, and  $f_{mesh}$  is the geometric covering fraction of the mesh.

### 2.3 Results

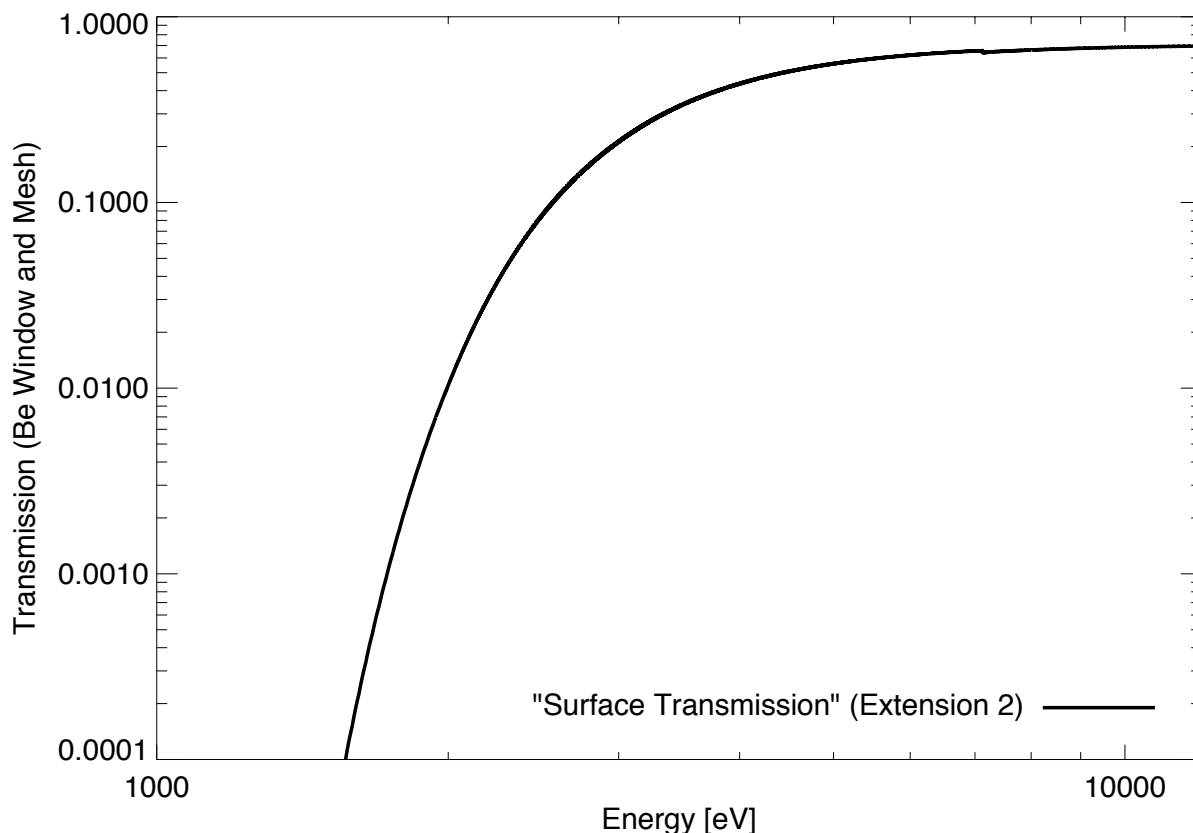
In Extension 2 we provide two columns: x-ray energy and transmission. The energy range is 10 to 40000 eV with a step size of 0.25 eV. Figure 5 illustrates the results and Figure 6 shows the data on a log-log scale over the science waveband.

### 2.4 Final Remarks

None.



**Figure 5** Transmission of the GV beryllium window and stainless steel protective mesh (71% open area). These data are supplied on an 0.25 eV grid in Extension 2 of the CALDB file.



**Figure 6** Log-log plot of the transmission of the GV beryllium window and stainless steel protective mesh (71% open area) from 1–12 keV.

### 3 References

- [1] B.L. Henke, E.M. Gullikson, and J.C. Davis. *X-ray interactions: photoabsorption, scattering, transmission, and reflection at  $E=50\text{-}30000$  eV,  $Z=1\text{-}92$* , Atomic Data and Nuclear Data Tables Vol. **54** (no.2), 181-342 (July 1993). [http://henke.lbl.gov/optical\\_constants/asf.html](http://henke.lbl.gov/optical_constants/asf.html)
- [2] SRON-ASTH-RP-2013-008, Characterizing the ASTRO-H Filters at Bessy
- [3] <http://www.nist.gov/pml/data/ffast/index.cfm>
- [4] C. T. Chantler. "Theoretical Form Factor, Attenuation and Scattering Tabulation for  $Z=1\text{-}92$  from  $E=1\text{-}10$  eV to  $E=0.4\text{-}1.0$  MeV," *J. Phys. Chem. Ref. Data*, **24**, 71-643 (1995).
- [5] C. T. Chantler. "Detailed Tabulation of Atomic Form Factors, Photoelectric Absorption and Scattering Cross Section, and Mass Attenuation Coefficients in the Vicinity of Absorption Edges in the Soft X-Ray ( $Z=30\text{-}36$ ,  $Z=60\text{-}89$ ,  $E=0.1$  keV-10 keV), Addressing Convergence Issues of Earlier Work," *J. Phys. Chem. Ref. Data*, **29**(4), 597-1048 (2000).